

Model #	A (in.)	B (in.)	C (in.)
2024I	24	3	8.0
2036I	36	3	8.0
2048I	48	3	8.0
2060I	60	3	8.0
2072I	72	3	8.0

FlexHead c (UL) us 2004 FLDW ↓
 M# 20xx Listed 175 PSI 370F
 72YM

REV	DATE	DESCRIPTION

FlexHead Institutional
 Sprinkler Connections
 M# 2024I, 2036I, 2048I, 2060I,
 and 2072I

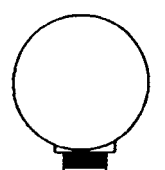


THIS DRAWING, SPECIFICATIONS, AND CONCEPTS CONTAINED HEREIN ARE THE SOLE PROPERTY OF FLEXHEAD INDUSTRIES, AND MAY NOT BE REPRODUCED OR USED IN ANY FASHION WITHOUT THE PRIOR WRITTEN PERMISSION OF FLEXHEAD INDUSTRIES, INC.

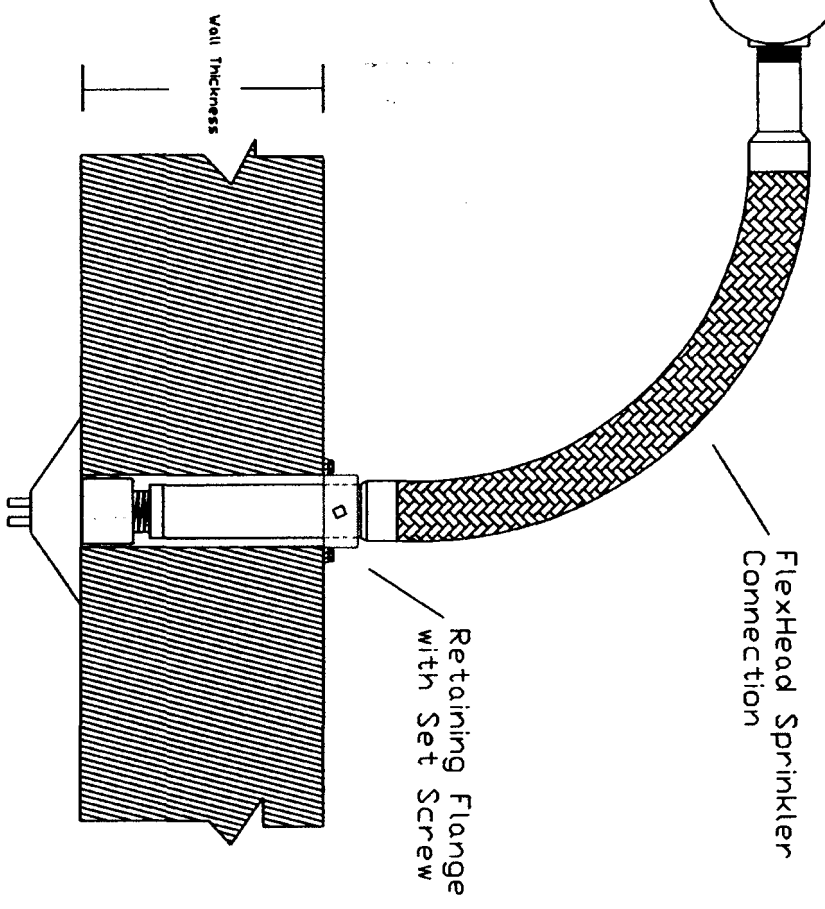
File Name: Flex 2000I Date: 10/09/03 SCALE: NTS
 Drawing No: 3-A

PART No: SHEET 1 OF 1

Sprinkler Branchline



FlexHead Sprinkler Connection



Note: Penetration thru ceiling shall be acceptable by authority having jurisdiction.

REV	DATE	DESCRIPTION

FlexHead Pendent Institutional Sprinkler Connection
 FlexHead MB 20241, 20361, 20481, 20601, 20721
 Design By: TCF
 Date: 10/10/03

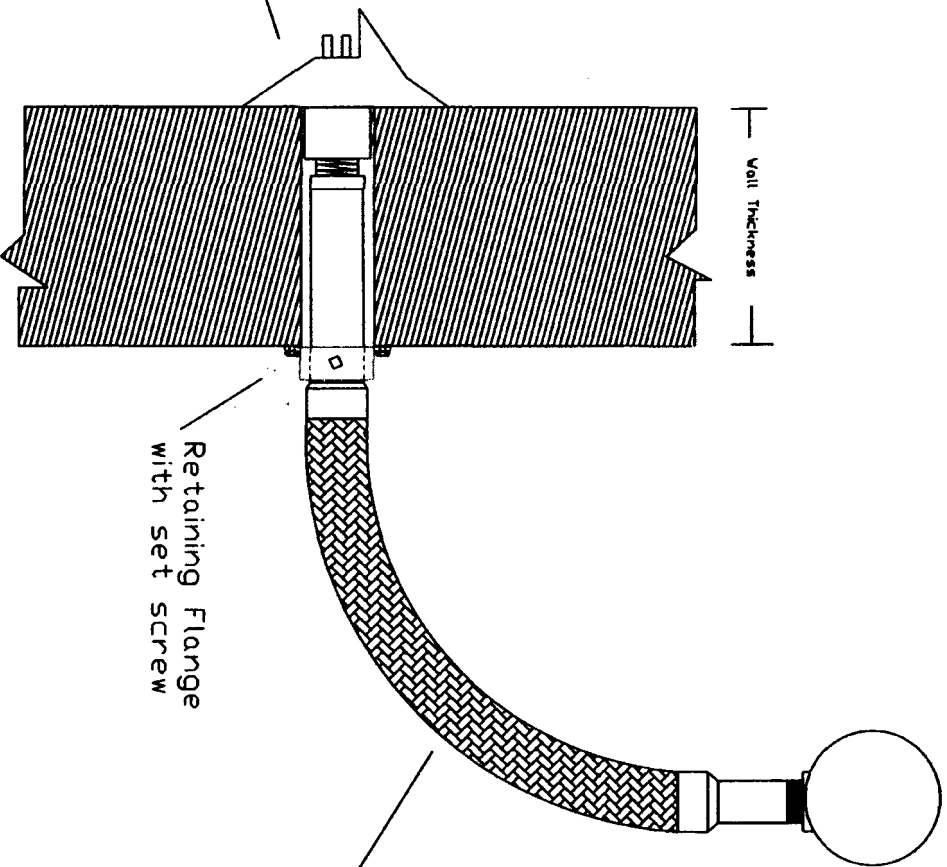
FLEXHEAD
 INDUSTRIES

Fax: 508-893-6020
 Phone: 508-893-9596

JOB No: SHEET 1 OF 1

This drawing is the property of FlexHead Industries, Inc. and must be returned without reproduction or duplication at any time upon request. In any event as soon as it has served the purpose for which it was made. While in the possession of the recipient, it is to be used only for the project and location specified. The recipient shall keep confidential and make no disclosure of the information contained herein.

Sprinkler
Branchline



Note: Penetration thru wall shall be acceptable by authority having jurisdiction.

REV	DATE	DESCRIPTION

FlexHead Sidewall Institutional
Sprinkler Connection

FlexHead MH 2024I, 2036I, 2048I, 2060I, 2072I

Drawn By: JEF

Date 10/10/03

FLEXHEAD
INDUSTRIES

Fax: 508-893-6020
Phone: 508-893-9596

JOB No: SHEET 1 OF 1

This drawing is the property of Flexhead Industries, Inc. and must be returned without reproduction or duplication at any time upon request. In any event as soon as it has served the purpose for which it is furnished. Where in the possession of the recipient, it shall remain the property of Flexhead Industries, Inc. The recipient must keep confidential and return to (30) Flexhead Industries, Inc. upon request.