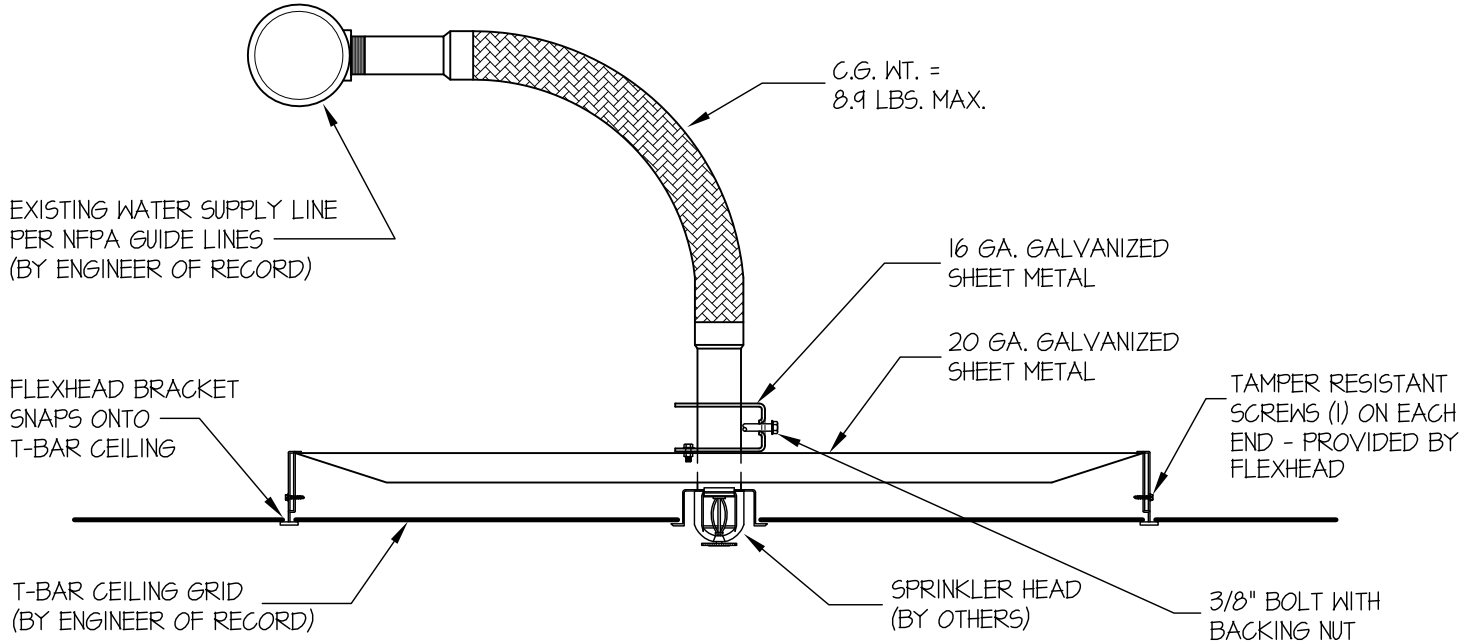


EASE EQUIPMENT ANCHORAGE & SEISMIC ENGINEERING www.equipmentanchorage.com	DES. R. LA BRIE	SHEET 1
	JOB NO. 11-0788	OF 2 SHEETS
	DATE 9/24/09	
FLEXHEAD INDUSTRIES		
FLEXHEAD SPRINKLER CONNECTIONS MODEL # 2024, 2036, 2048, 2060, 2072		

SEISMIC ANCHORAGE PRE-APPROVED DETAIL

CEILING MOUNT

Office of Statewide Health Planning and Development
ANCHORAGE PRE-APPROVAL



ELEVATION

GENERAL NOTES:

1. ANCHORAGE DESIGN PER 2007 CALIFORNIA BUILDING CODE - SECTION 1613A AND ASCE 7-05 SECTIONS 12 AND 13. ALLOWABLE STRESS DESIGN IS USED.
 HORIZONTAL FORCE (E_h) = $2.43 W_p$ ($S_{DS} = 1.93, I_p = 1.5, a_p = 2.5, R_p = 2.5$)
 VERTICAL FORCE (E_v) = $0.27 W_p$
2. ENGINEER OF RECORD FOR THE BUILDING SHALL PROVIDE SUPPORT STRUCTURE DESIGNED TO SUPPORT WEIGHTS AND FORCES SHOWN.
3. ENGINEER OF RECORD TO VERIFY CONNECTION WILL PERMIT ADEQUATE DISPLACEMENT IN ALL DIRECTIONS.



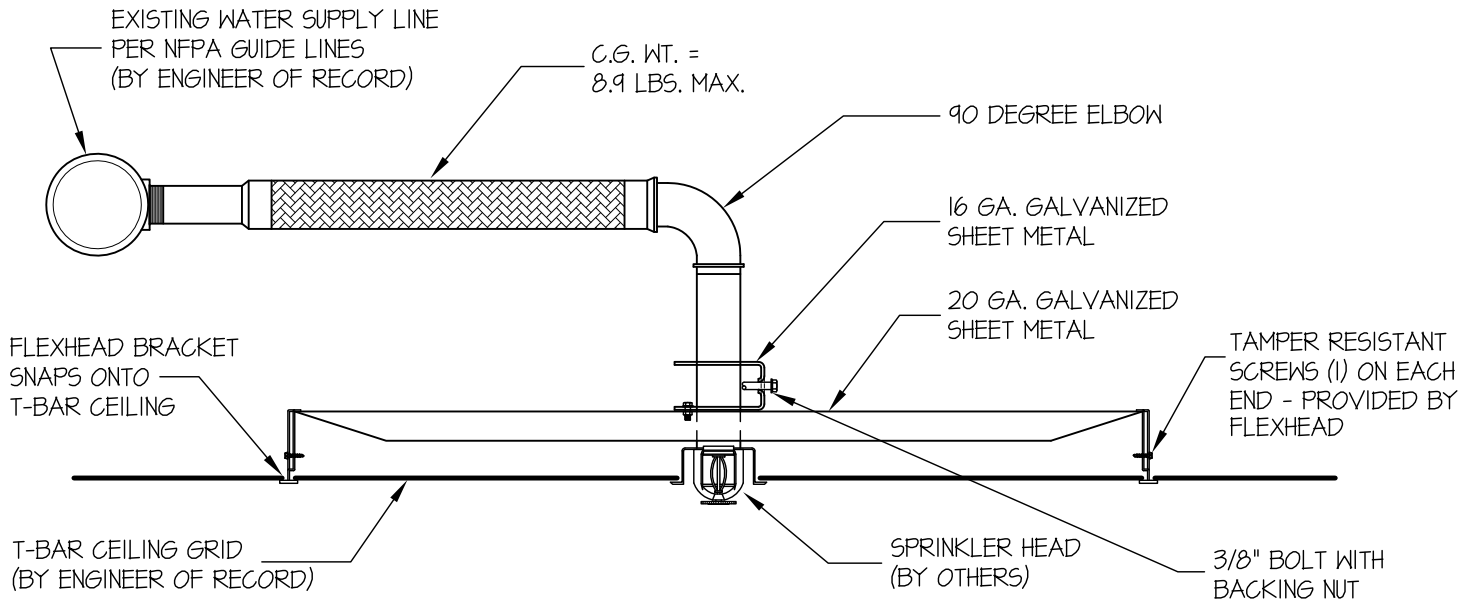
A P P R O V E D	
Fixed Equipment Anchorage	
Office of Statewide Health Planning and Development	
	OPA-0672-07
Pre-approval Program Manager: Anthony R. Pike (916) 440-8470	
Reviewed By: Anthony R. Pike	9/24/09

 EQUIPMENT ANCHORAGE & SEISMIC ENGINEERING www.equipmentanchorage.com	DES. R. LA BRIE	SHEET 2
	FLEXHEAD INDUSTRIES	JOB NO. 11-0788
	FLEXHEAD SPRINKLER CONNECTIONS MODEL # 2024E, 2036E, 2048E, 2060E, 2072E	DATE 9/24/09

SEISMIC ANCHORAGE PRE-APPROVED DETAIL

CEILING MOUNT

Office of Statewide Health Planning and Development
ANCHORAGE PRE-APPROVAL



ELEVATION

GENERAL NOTES:

1. ANCHORAGE DESIGN PER 2007 CALIFORNIA BUILDING CODE - SECTION 1613A AND ASCE 7-05 SECTIONS 12 AND 13. ALLOWABLE STRESS DESIGN IS USED.
 HORIZONTAL FORCE (E_h) = $2.43 W_p (S_{DS} = 1.93, I_p = 1.5, a_p = 2.5, R_p = 2.5)$
 VERTICAL FORCE (E_v) = $0.27 W_p$
2. ENGINEER OF RECORD FOR THE BUILDING SHALL PROVIDE SUPPORT STRUCTURE DESIGNED TO SUPPORT WEIGHTS AND FORCES SHOWN.
3. ENGINEER OF RECORD TO VERIFY CONNECTION WILL PERMIT ADEQUATE DISPLACEMENT IN ALL DIRECTIONS.



A P P R O V E D	
Fixed Equipment Anchorage	
Office of Statewide Health Planning and Development	
OPA-0672-07	
Pre-approval Program Manager:	
Anthony R. Pike	
(916) 440-8470	
	
	
Reviewed By: Anthony R. Pike	9/24/09