

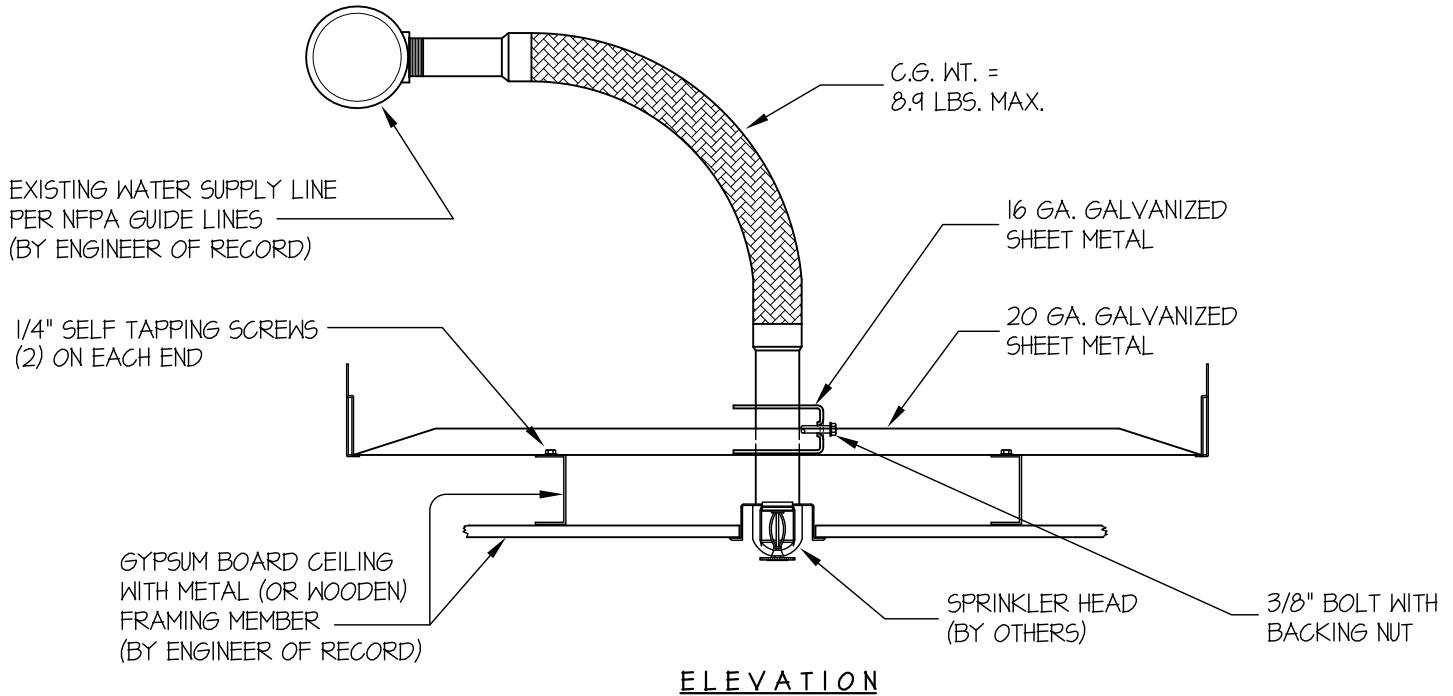
<b>EASE</b> EQUIPMENT ANCHORAGE & SEISMIC ENGINEERING www.equipmentanchorage.com	<b>DES. R. LA BRIE</b>	<b>SHEET</b> <b>1</b>
	<b>JOB NO. 11-0788</b>	<b>OF</b> <b>2</b> SHEETS
	<b>DATE 9/24/09</b>	
<b>FLEXHEAD INDUSTRIES</b> <b>FLEXHEAD SPRINKLER CONNECTIONS</b> <b>MODEL # 2024, 2036, 2048, 2060, 2072</b>		

SEISMIC ANCHORAGE PRE-APPROVED DETAIL

AT SHEETROCK CEILING

CEILING MOUNT

**Office of Statewide Health Planning and Development**  
**ANCHORAGE PRE-APPROVAL**



ELEVATION

GENERAL NOTES:

1. ANCHORAGE DESIGN PER 2007 CALIFORNIA BUILDING CODE - SECTION 1613A AND ASCE 7-05 SECTIONS 12 AND 13. ALLOWABLE STRESS DESIGN IS USED.  
 HORIZONTAL FORCE ( $E_h$ ) =  $2.43 W_p$  ( $S_{DS} = 1.93, I_p = 1.5, a_p = 2.5, R_p = 2.5$ )  
 VERTICAL FORCE ( $E_v$ ) =  $0.27 W_p$
2. ENGINEER OF RECORD FOR THE BUILDING SHALL PROVIDE SUPPORT STRUCTURE DESIGNED TO SUPPORT WEIGHTS AND FORCES SHOWN.
3. ENGINEER OF RECORD TO VERIFY CONNECTION WILL PERMIT ADEQUATE DISPLACEMENT IN ALL DIRECTIONS.



APPROVED Fixed Equipment Anchorage Office of Statewide Health Planning and Development	
	<b>OPA-0676-07</b> Pre-approval Program Manager: Anthony R. Pike (916) 440-8470
Reviewed By: Anthony R. Pike	9/24/09

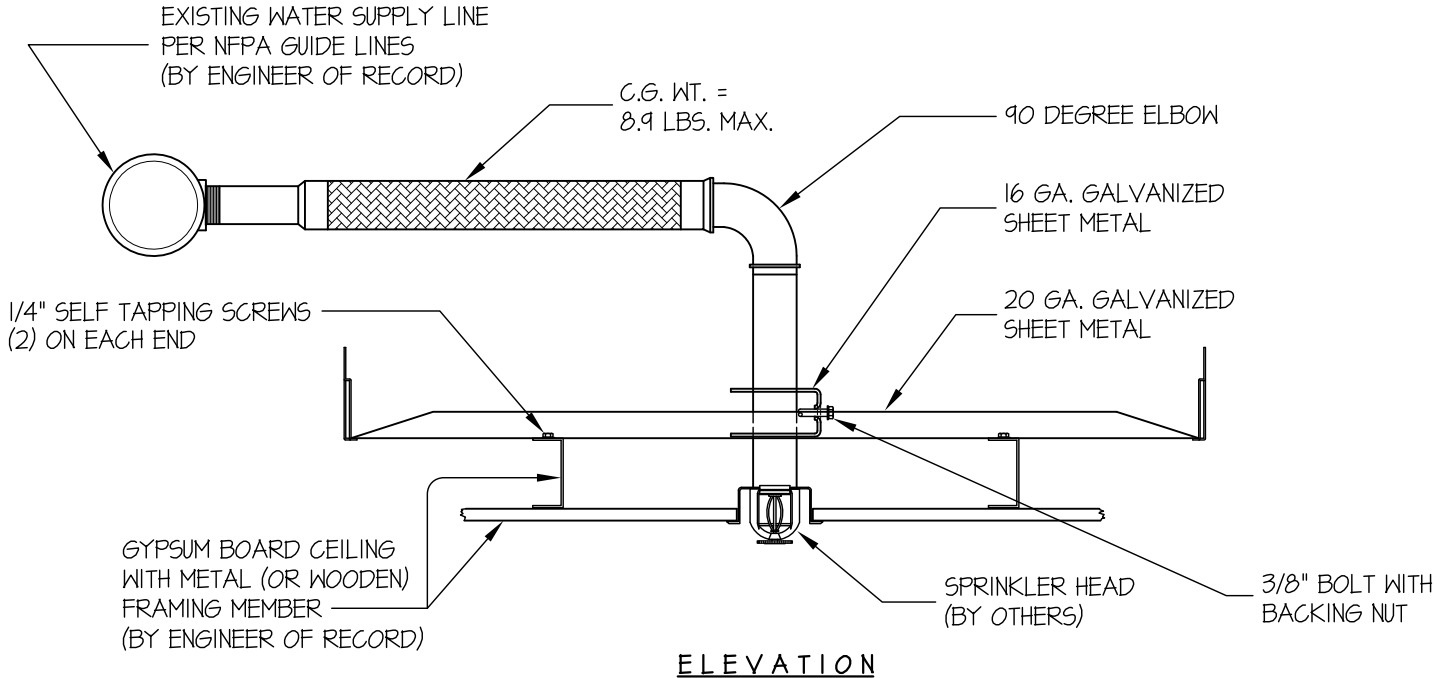
<b>EASE</b> EQUIPMENT ANCHORAGE & SEISMIC ENGINEERING www.equipmentanchorage.com	<b>FLEXHEAD INDUSTRIES</b>	DES. <b>R. LA BRIE</b>	SHEET <b>2</b>
	<b>FLEXHEAD SPRINKLER CONNECTIONS</b> <b>MODEL # 2024E, 2036E, 2048E, 2060E, 2072E</b>	JOB NO. <b>11-0788</b>	OF <b>2</b> SHEETS
		DATE <b>9/24/09</b>	

SEISMIC ANCHORAGE PRE-APPROVED DETAIL

AT SHEETROCK CEILING

CEILING MOUNT

**Office of Statewide Health Planning and Development**  
**ANCHORAGE PRE-APPROVAL**



GENERAL NOTES:

1. ANCHORAGE DESIGN PER 2007 CALIFORNIA BUILDING CODE - SECTION 1613A AND ASCE 7-05 SECTIONS 12 AND 13. ALLOWABLE STRESS DESIGN IS USED.  
 HORIZONTAL FORCE ( $E_h$ ) =  $2.43 W_p (S_{DS} = 1.93, I_p = 1.5, a_p = 2.5, R_p = 2.5)$   
 VERTICAL FORCE ( $E_v$ ) =  $0.27 W_p$
2. ENGINEER OF RECORD FOR THE BUILDING SHALL PROVIDE SUPPORT STRUCTURE DESIGNED TO SUPPORT WEIGHTS AND FORCES SHOWN.
3. ENGINEER OF RECORD TO VERIFY CONNECTION WILL PERMIT ADEQUATE DISPLACEMENT IN ALL DIRECTIONS.



<b>A P P R O V E D</b>	
Fixed Equipment Anchorage Office of Statewide Health Planning and Development	
	<b>OPA-0676-07</b>
Pre-approval Program Manager: Anthony R. Pike (916) 440-8470	
Reviewed By: Anthony R. Pike	9/24/09