

FlexHead[®] Commercial Fire Sprinkler Connections

FlexHead Bracket Model #UH-2

Materials

- FlexHead sprinkler hose with fittings: 304 stainless steel
- UH-2 Bracket: G90 Galvanized Steel
- 3/8" threaded rod (not included)

Description

The UH-2 Bracket attaches to the concrete deck above the ceiling using a threaded rod secured to the building structure which is attached to the bracket. The maximum length of 3/8" rod that can be used with the UH-2 bracket is 2ft long. This is perfect for confined space applications where you have a concrete deck above the ceiling that can be used to secure the threaded rod to the building structure.

The rod can be cut to length and the UH-2 bracket can be moved up or down to create the perfect fit-up between the sprinkler head and the ceiling. This bracket system can be used in both commercial suspended ceilings (T-bar grid) and Sheetrock ceilings and is compatible with all our commercial models including 2024E, 2036E, 2048E, 2060E and 2072E. The "E" designates elbow style hose assembly typically used in confined space applications.



UH-2 Bracket shown without flexible hose



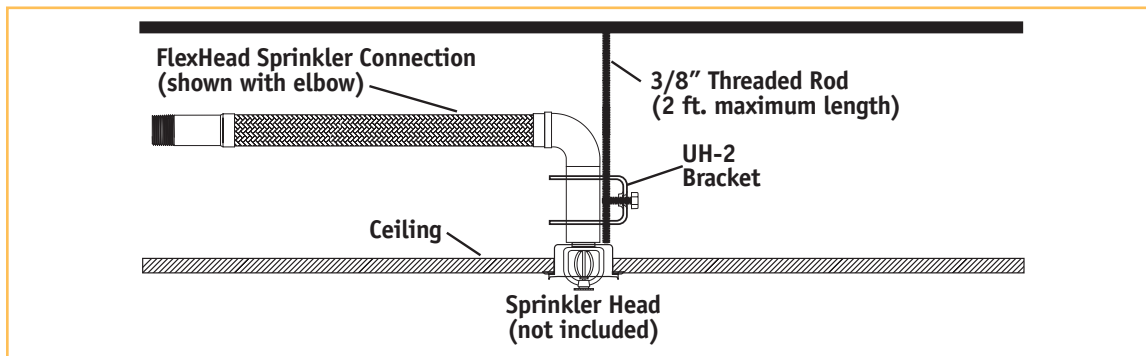
UH-2 Bracket installed with FlexHead Model 2036E



Friction Loss Data and Specifications

F R I C T I O N L O S S	FlexHead Model #	Outlet Size (in/cm)	Hose Assembly Length ft(m)	Maximum Number of 90-Degree Bends (3 in. Bending Radius)	Equivalent Length Length of Schedule 40, Nominal 1 in. Diameter Pipe, ft	Maximum Ambient Temperature Rating F(C)	Maximum Rated Pressure H-Series psi (kPa)/psi (kPa)
		2024, 2024H	1/2(1.27)	2(0.6)	3	3.5	300°(148°)
	2036, 2036H	1/2(1.27)	3(0.9)	3	4.8	300°(148°)	175(1205)/300(2068)
	2048, 2048H	1/2(1.27)	4(1.2)	4	6.8	300°(148°)	175(1205)/300(2068)
	2060, 2060H	1/2(1.27)	5(1.5)	4	8.5	300°(148°)	175(1205)/300(2068)
	2072, 2072H	1/2(1.27)	6(1.8)	4	8.9	300°(148°)	175(1205)/300(2068)
	2024, 2024H	3/4(1.90)	2(0.6)	3	7.8	300°(148°)	175(1205)/300(2068)
	2036, 2036H	3/4(1.90)	3(0.9)	3	8.1	300°(148°)	175(1205)/300(2068)
	2048, 2048H	3/4(1.90)	4(1.2)	4	17.9	300°(148°)	175(1205)/300(2068)
	2060, 2060H	3/4(1.90)	5(1.5)	4	19.9	300°(148°)	175(1205)/300(2068)
	2072, 2072H	3/4(1.90)	6(1.8)	4	24.3	300°(148°)	175(1205)/300(2068)
	2024E, 2024HE	1/2(1.27)	2(0.6)	3	5.5	300°(148°)	175(1205)/300(2068)
	2036E, 2036HE	1/2(1.27)	3(0.9)	3	6.8	300°(148°)	175(1205)/300(2068)
	2048E, 2048HE	1/2(1.27)	4(1.2)	4	8.8	300°(148°)	175(1205)/300(2068)
	2060E, 2060HE	1/2(1.27)	5(1.5)	4	10.5	300°(148°)	175(1205)/300(2068)
	2072E, 2072HE	1/2(1.27)	6(1.8)	4	10.9	300°(148°)	175(1205)/300(2068)
	2024E, 2024HE	3/4(1.90)	2(0.6)	3	9.8	300°(148°)	175(1205)/300(2068)
	2036E, 2036HE	3/4(1.90)	3(0.9)	3	10.1	300°(148°)	175(1205)/300(2068)
	2048E, 2048HE	3/4(1.90)	4(1.2)	4	19.9	300°(148°)	175(1205)/300(2068)
	2060E, 2060HE	3/4(1.90)	5(1.5)	4	21.9	300°(148°)	175(1205)/300(2068)
	2072E, 2072HE	3/4(1.90)	6(1.8)	4	26.3	300°(148°)	175(1205)/300(2068)

Model Numbers: The "H" designates high pressure unit rated to 300 psig and the "E" designates elbow style unit.



Let FlexHead make your connection today.

Engineers

- Stainless steel quality at black iron costs
- Fast-track construction
- Simplified project management
- Cost-effective code compliance
- Seismically qualified

Contractors

- Lower installation costs
- More productive installers
- No punch list items
- Highest quality available
- More flexible scheduling
- Competitive advantage for your company

Owners

- Shorter time to occupancy
- Lower reconfiguration costs
- Cost effective code compliance
- Lower total costs of ownership

U.S. and international patents pending:
#6,123,154, #6,119,784, #6,752,218,
#7,032,680, #6,488,097.

The FlexHead name and logo are trademarks of FlexHead Industries.

FGG/BM and Blazemaster are registered trademarks of Noveen IP Holding Corp.

USGBC and LEED are registered trademarks of the U.S. Green Building Council.

FLEXHEAD
INDUSTRIES
The pioneers in flexible fire protection

HeadQuarters/Manufacturing

56 Lowland Street, Holliston, MA 01746
toll-free 800-829-6975/(508) 893-9596
fax (508) 893-6020/www.flexhead.com